

# ALC1N

Serie / Series 40

Profilo in **ALLUMINIO curvo**, con poliuretano  
Curved aluminum profile with polyurethane

**A INGOMBRO RIDOTTISSIMO**  
VERY REDUCED ENCUMBRANCE

**PROFILI IN ALLUMINIO**  
ALLUMINIUM PROFILES



Profilo economico, in alluminio a passo stretto, dalla indiscussa eleganza. Adatto per l'impiego sui mini cassonetti. Ottimo compromesso tra necessità di robustezza e minimo ingombro in alternativa al profilo dalla sezione 8 x 43 mm.

Unexpensive small aluminium profile, elegant and suitable for mini boxes. The best choice for who need strenght and compact dimensions, also as an alternative to the profile of the section 8 x 43 mm.

## MD ▼

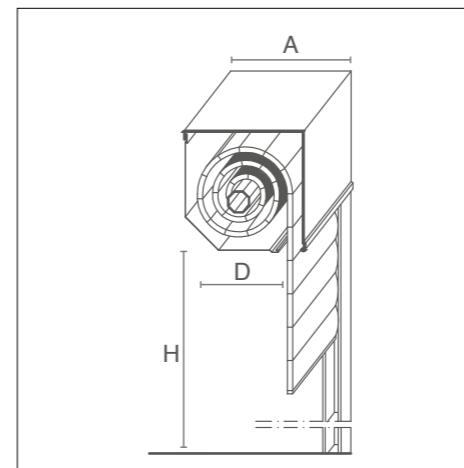
| ART.  | TIPOLOGIA<br>TYPOLOGY  | SPECIFICHE TECNICHE<br>TECHNICAL FEATURES  | Um |
|-------|--|--|----|
| ALC1N | Barre Bars   |  | ml |
| ALC1N | Su Misura Custom-made  |  | ml |
| ALC1N | Telo finito con Term. in PVC<br>Shutter with ends in PVC             | Stecche in alluminio con poliuretano a minimo ingombro<br>Aluminium slats with polyurethane with very reduced dimensions | mq |
| ALC1N | Telo finito con Term. in Alluminio<br>Shutter with ends in Aluminium |  | mq |

# ALC1N

Serie / Series 40

**SCHEDA TECNICA**  
technical sheet

**VEROLUX®**



**AVVOLGIMENTO IN MM. SU RULLO DA Ø 40**  
ROLLING UP MM. ON ROLL Ø 40

| ALTEZZA LUCE<br>OPENING HEIGHT | 1000 | 1300 | 1600 | 1900 | 2200 | 2500 | 2700 | 3000 | H   |   |
|--------------------------------|------|------|------|------|------|------|------|------|-----|---|
| INGOMBRO<br>ROLLING            | Ø 40 | 120  | 130  | 145  | 155  | 165  | 175  | 180  | 185 | D |
|                                | Ø 60 | 125  | 140  | 150  | 170  | 175  | 180  | 185  | 190 |   |

**BOX SYSTEM**

| MISURE CASSONETTO<br>BOX MEASURE | 100 | 125 | 137 | 150 | 165 | 180 | 205 | - | A |
|----------------------------------|-----|-----|-----|-----|-----|-----|-----|---|---|
|----------------------------------|-----|-----|-----|-----|-----|-----|-----|---|---|

| ALTEZZA LUCE<br>OPENING HEIGHT | Ø 40 | 650 | 850 | 1050 | 1400 | 1800 | 2300 | 2900 | - | H |
|--------------------------------|------|-----|-----|------|------|------|------|------|---|---|
|                                | Ø 60 | -   | 800 | 1000 | 1200 | 1600 | 2050 | 2700 | - |   |

**CONFEZIONI n° 40 stecche per pacco | PACKING n° 40 slates for packet**

**DIMENSIONI MASSIME VALIDE PER MARCATURA C €**  
VALID MEASURES FOR C € LABELING

| LARG. ml<br>WIDTH ml  | ALT. ml<br>HEIGHT ml | SUP. m²<br>SURFACE m²    | RESISTENZA AL VENTO<br>WIND RESISTANCE |
|-----------------------|----------------------|--------------------------|--|
| 1,70                  | 3,00                 | 5,00                     | CLASSE 5                               |
| SEZIONE mm<br>SECTION | KG / m²<br>HEIGHT    | STECHE PER 1 mt<br>SLATS |  |
| 8 x 43                | 2,52                 | N° 23,26                 |  |

## 5,88

**TRASMITTANZA TERMICA U = W/M2 °K**  
THERMAL TRANSMITTANCE

## GUIDE E TERMINALI COMPATIBILI

COMPATIBLE GUIDES AND END SLATS



CONSULTARE TABELLA COLORI E RELATIVA DISPONIBILITÀ A PAGINA 138/139.  
LOOK UP IN THE COLOURS LIST AND THEIR RELATIVE AVAILABILITY AT PAGES 138/139.